

**Muro Shear Link Assembly - Integral Safety Sling Shackle Points**

Size Ratings:	Part No
Blue = 10800lbs	RSL50KNZ
Yellow = 15500lbs	RSL70KNZ
Red = 17600lbs	RSL80KNZ
Green = 23750lbs	RSL100KNZ
Orange = 31360lbs	RSL140KNZ

Shear Pins Available in Packs of 10

**Muro Super Sheave: MSS1848**

Sheave Wheel Diameters from 18" -48"

Grooved to Suit your Cable

SWL 50000lbs on Head fitting at 4:1 FoS  
25000lbs on Line Pull

Atex Protection Definition

CE EX 11 2 G c 11B T4 Tamb -40deg to +50deg



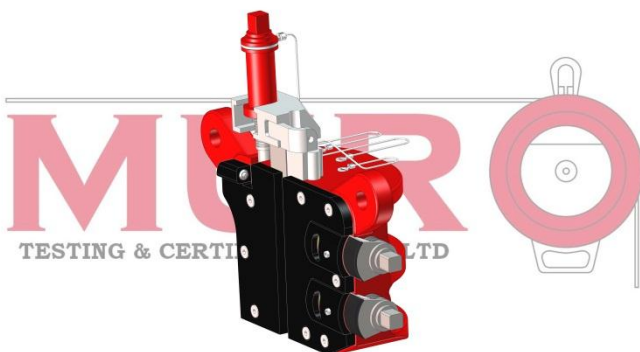
**Safety Wireline Clamp**

A More Efficient Way to Clamp your line, proven to be 10x faster than conventional clamping. Slips provided to suit your cable.

Integral Lifting Points Rated at 31360lbs at 4:1 FoS

Elevator Attachment Rated at 9700lbs at 4:1 FoS

Designed so You Can Hold as Little as 500lbs Tool Weight but Can Also Pull to Destruction of Cable Without Having to Make Any Other Adjustment



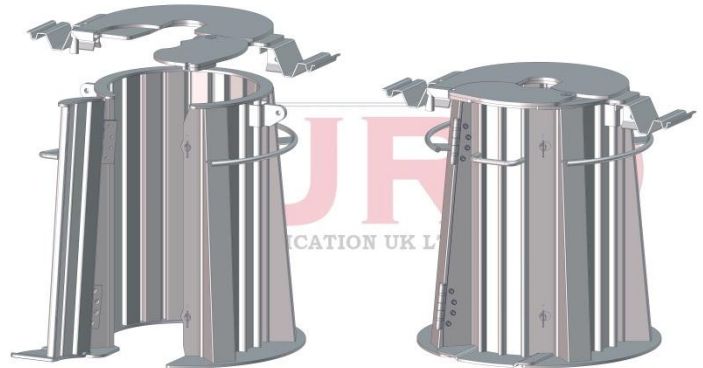
**Muro Lightweight Make-Up Stand c/w  
Make-Up Plates**

Fully Enclosed Assembly Rated to 10000lbs at 4:1  
FoS

Ergonomic Handles

All Stainless Steel Construction

Make-Up Plates Made to Suit Tools – Positive  
Lock for Gate, 100% Drop Object Protection.



**Compensator Assembly**

Top Drive Sub – Various Threaded Connections to Screw on  
Existing Top Drive or Hang in Elevators

19" Diameter Sheave – Common Size of Compensator Line  
Used From 24mm to 32mm Diameter

Lower Beckett – To Suit Top Wireline Sheave Used

Standard SWL 32.5 Tonne on Head Fitting

**Top Drive Compensator Assembly (Atex)  
Rated Atex Zone 1**

Detachable Top Connection to Allow Inter-  
Changeable Hanging Options

Swivel Top With Safety Pad-Eye for Maximum  
Ease of Use and Safety

23.5" Diameter at Rope Groove, Various Sizes to  
Suit Compensator Line

25 Tonne SWL Lower Pad-Eye



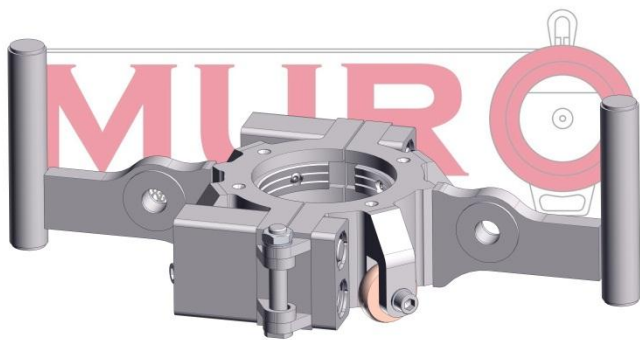
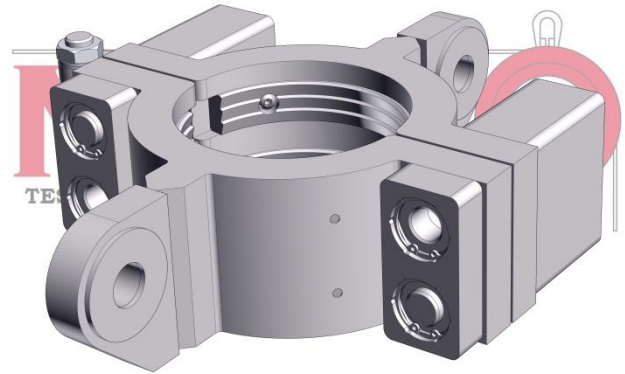
### Muro PFC Parallel Face Clamp Range

DNV Approved Lifting Clamp

Rated to 8800lbs

3 Body Sizes to Handle Diameter from 2" – 4.72"

17.4 Stainless inserted teeth (Set of 4) allow one clamp to take many sizes



### Muro PFRC Parallel Face Roller Clamp Range

DNV Approved Lifting Clamp

Rated to 8800lbs

3 Body Sizes to Handle Diameter from 2" – 4.72"

17.4 Stainless inserted teeth (Set of 4) allow one clamp to take many sizes

Brass Wheels allow the tool to be rotated while under load

### Muro Multi Roller Fairlead

DNV Approved

Rated up to 8800lbs

Top Swivel to aid alignment

Secondary connection point for added safety

Various sizes to suit bend radii

Roller geometry made to suit line type

